

Mersive Solstice Pod Mount

The Mersive Pod mounts securely supports the Solstice Pod, Mersive Essentials or Mersive Pro on a wall, display mount, or desk. The pods easily slide into the mount and then is secured with security screws.

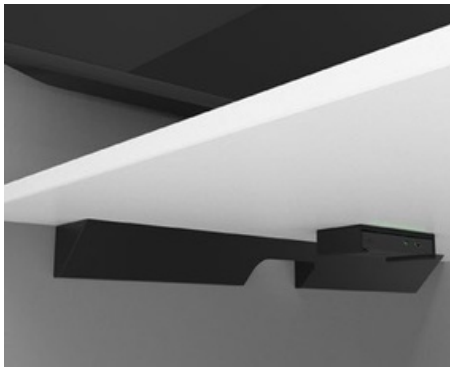
The Avteq mount allows access to the device's ports without keeping it on a shelf or tabletop. Install the Mersive Pod, Essential or Pro pod to the wall, behind the display, or under a desk or tabletop.

FEATURES

- Mounts to the wall, behind display, or under a table or desk
- Black finish
- TAA compliant



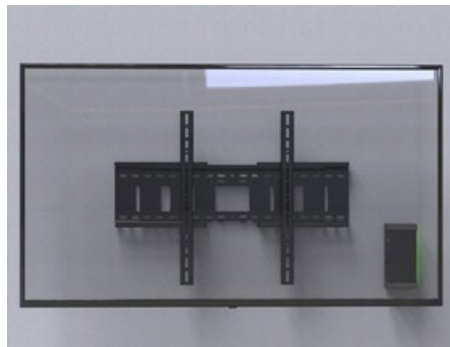
MER1527



Under table mounting



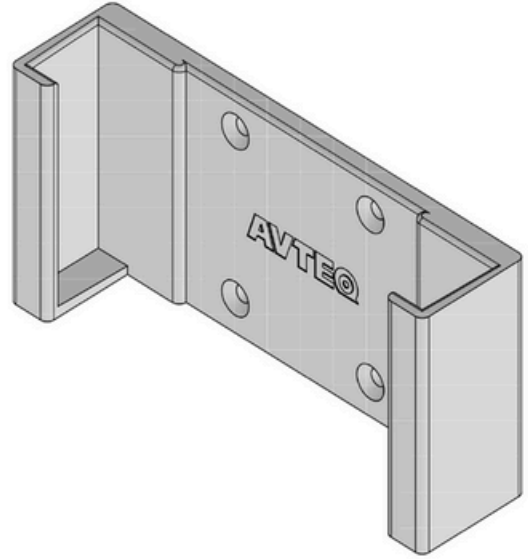
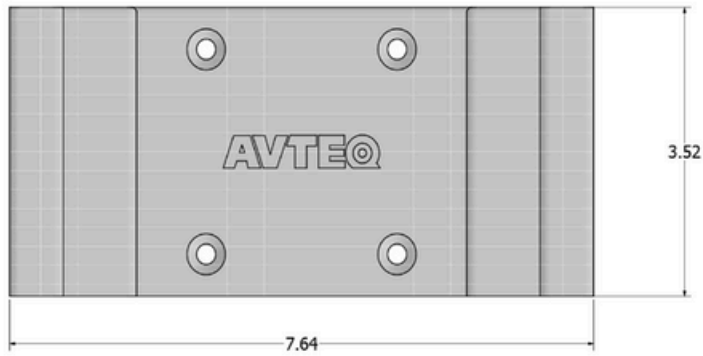
Mersive Pod Mount



Wall mounting behind display



DIMENSIONS



SPECIFICATIONS

Part Number	MER1527
Dimensions (HxWxD)	3.52 x 7.64 x 1.91 Inches (89 x 194 x 49 mm)



Call 800.285.8315 or visit AVTEQ.net

©2024 AVTEQ Inc. All rights reserved. All specifications subject to change without notice. Trademarks used herein are the property of AVTEQ Inc. or of their respective owners.

#MERP042024